



Middle Atlantic Products, Inc.®

middleatlantic.com

## Duct Cool Long Pull Vent System

A complete remote cooling solution that allows you to manage the heat in closets quietly and effectively

### Features

- Removes air from enclosed areas with minimal noise
- High powered mixed flow fan is quieter and more efficient than centrifugal fans
- Operates only when needed, minimizing noise and dust
- Includes 25 ft. of flexible insulated duct
- Simple installation with flexible positioning options



DUCT COOL

### Architects' and Engineers' Specifications

#### SYSTEM

Duct cooling system shall be Middle Atlantic Products model # DUCT-COOL-\_\_PT (refer to chart). DUCT-COOL-\_\_PT shall measure \_\_W x \_\_H x \_\_D with the air duct having a diameter of \_\_ (refer to chart). Fan shall displace \_\_CFM. Temperature probe with 30 ft. wire shall be provided for temperature sensing that automatically turns on at 88° F and turns off automatically at 85° F. DUCT-COOL shall include 25 ft. of flexible insulated duct, consisting of a flexible helix core made of 2-ply polyester laminate and corrosion resistant zinc coated wire, surrounded by a blanket of glass fiber insulation, jacketed by a heavy duty, fire retardant black polyethylene vapor barrier. DUCT-COOL shall also include a powder-coated steel mounting plate. Mounting plate shall be constructed of 16-gauge steel. Mounting plate shall have the ability to be mounted on 16" studs or on flat surfaces. DUCT-COOL shall include a louvered vent and mounting collar to mount to desired wall or ceiling and to connect flexible insulated duct to inline mixed flow fan unit. DUCT-COOL shall be warranted to be free from defects in materials and workmanship for a period of 3 years.

#### THERMOSTAT

Optional thermostat shall be Middle Atlantic Products model # THERM-A. Thermostat shall be mounted into a standard Decora® opening. THERM-A shall have a user definable temperature range (60° F to 100° F). THERM-A shall be for indoor use in dry locations only. Module shall be warranted to be free from defects in material or workmanship under normal use and conditions for a period of 3 years.

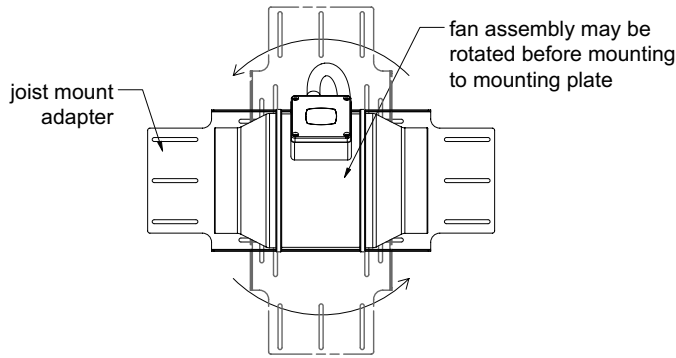
customizable specification clips available at [middleatlantic.com](http://middleatlantic.com)

## Engineered Mounting Solutions

# Duct Cool basic dimensions

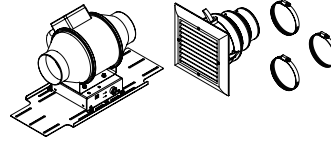
**Note:** When two sets of dimensions are shown, first set is for DUCT-COOL-1PT and second set is for DUCT-COOL-2PT

## TOP VIEW



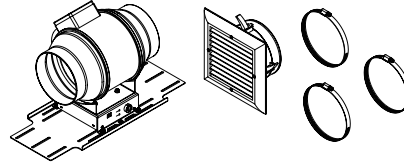
## DUCT-COOL-1PT

(Duct and hardware kit not shown)

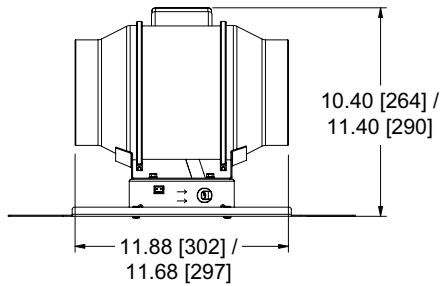


## DUCT-COOL-2PT

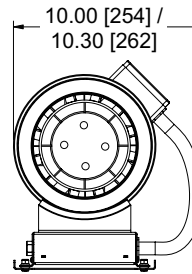
(Duct and hardware kit not shown)



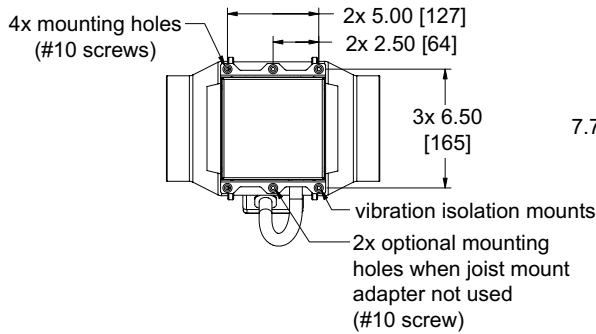
## FRONT VIEW



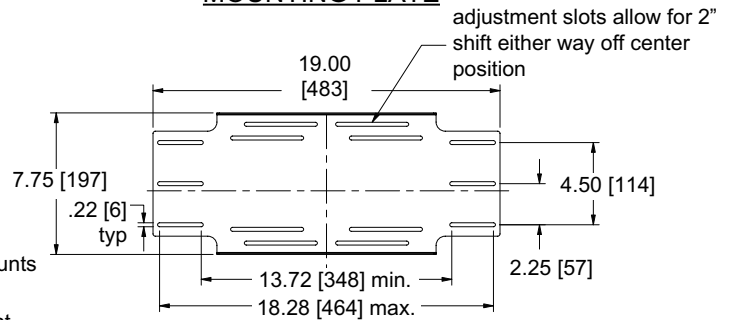
## SIDE VIEW



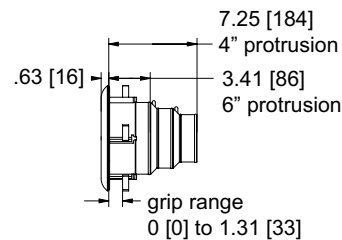
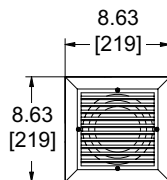
## BOTTOM VIEW



## MOUNTING PLATE



## LOUVERED VENT



Model #	Width	Height	Depth	Air Duct Diameter	Voltage VAC @ 60Hz	CFM (M3/min)
DUCT-COOL-1PT	10.0 (254)	10.4 (264)	11.88 (302)	4 (102)	120	135 (3.80)
DUCT-COOL-2PT	10.30 (262)	11.4 (290)	11.68 (297)	6 (153)	120	293 (8.30)

All dimensions in inches unless otherwise noted [All dimensions in brackets are millimeters]

