

# DATA SHEET



## 2-Port USB Wall Charger - AC to USB Adapter, 5V 2.1A Output

Simultaneously charge two mobile devices from a single outlet

### OVERVIEW

The 2-Port USB Wall Charger - AC to USB Adapter is an ideal solution for charging or powering portable devices at work, at home, or on the road. This device is designed to connect to a standard AC wall outlet and provides a total of 2.1 amps of charging power between the dual USB ports. The compact design of this adapter makes it easy to toss into a suitcase or backpack for charging on the go. The AC prongs fold into the adapter for travel, lessening the likelihood of damage to the prongs. The power output makes this adapter the perfect solution for charging smartphones and powering portable devices.

### FEATURES

- 5V, 2.1A total output
- 2 standard USB-A ports
- Compact size
- Foldable AC prongs

### ITEM DESCRIPTION

22322 2-Port USB Wall Charger - AC to USB Adapter, 5V 2.1A Output

# DATA SHEET

## SPECIFICATIONS: 2-Port USB Wall Charger AC to USB Adapter, 5V 2.1A Output

### ELECTRICAL SPECIFICATIONS:

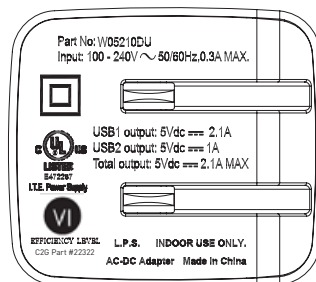
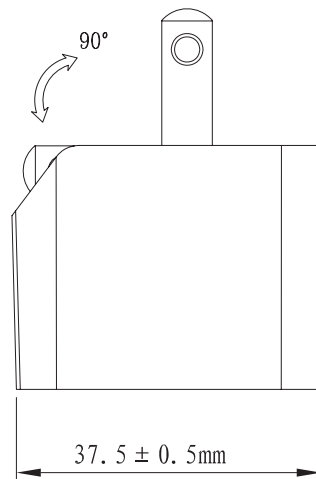
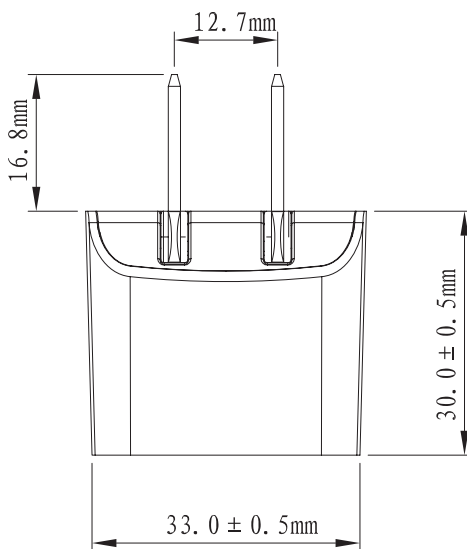
- Electrical Input: 100-240V AC, 50-60Hz, 0.3A MAX
- USB 1 Output 5 Volt DC, 2.1A
- USB 2 Output 5 Volt DC, 1A
- Total Output 5 Volt DC, 2.1A MAX

### PHYSICAL SPECIFICATIONS:

- Operating Temperature: -20°C – 40°C; 20-90% RH
- Storage Temperature: -20°C – 85°C; 5%-80% RH

### PHYSICAL CHARACTERISTICS:

- Dimensions (HxWxD): 1.48 x 1.30 x 1.18in



**C2G**  
A brand of **legrand**

3555 Kettering Blvd.  
Moraine, OH 45439  
Phone: 800.CABL.911  
www.c2g.com

Follow Us

