

Premium Online Series

UPS backup power systems

backup protection with double conversion that isolates and conditions output power for clean, consistent, reliable power

features:

- Permanent connection to the battery for zero transfer time eliminating system disruptions and guaranteeing maximum uptime
- Complete isolation and conditioning of output power with double conversion topology providing the cleanest power possible
- Reduced ambient noise with quiet variable speed fans
- Longest run time available in this form factor with the capability to add up to 10 expansion battery packs
- Front accessible, hot-swappable batteries to eliminate downtime related to UPS power maintenance
- Pure sine wave output waveform automatically corrects over-voltage and under-voltage conditions
- Non-critical load shedding
- EMI/RFI filtering for clean power of connected equipment
- Monitoring and reporting for real time battery life notifications
- Removable LCD display & power switch for remote accessible functionality
- Flexibility to set the output frequency to match connected equipment
- Remote monitoring and control of power with optional IP card



specifications:

Rackmount Online Uninterruptible Power Supply (UPS) shall be Middle Atlantic Products model # UPS-OL__ R (refer to chart). Unit shall measure 19.00" W x 3.50" H x __" D and occupy 2 rackspaces. UPS shall have a rear mounting range of 20.69" to 36.19" and not require more than one person to mount. UPS shall have a minimum usable depth of __" (refer to chart). Unit shall operate on 120 VAC/60Hz. Unit shall have a nominal output of 120V. Unit shall have a capacity of __ VA and __ W (refer to chart). Unit shall have (__) NEMA 5-__ receptacles on the rear of the unit (refer to drawing). Unit shall have a priority outlet bank consisting of __ outlets dedicated to ensure maximum run time of critical components. Unit shall have a non-critical outlet bank consisting of __ outlets dedicated to load shedding (refer to drawing). Unit shall be IP enabled when used with optional IP Expansion card, model# UPS-OLIPCARD. Rackmount UPS shall include a 10' power cord with NEMA __ (refer to chart) plug. UPS shall have surge suppression that utilizes a clean line-to-neutral design that does not pass noise contamination to ground. Rackmount UPS shall have a hot swappable battery that allows for a __ minute run time at half load and a __ (refer to chart) minute run time at full load. Rear of unit shall have inputs that allow for the installation of up to __ additional hot swappable batteries (refer to chart). Rackmount UPS shall meet the EU RoHS Directive 2011/65/EU. Rackmount UPS shall utilize Middle Atlantic Power Manager™ software. Rackmount UPS shall be warrantied to be free from defects in materials and workmanship under normal use and conditions for a period of 3 years; battery shall be warrantied for a period of 2 years. Rackmount UPS shall be UL listed to US and Canadian safety requirements and FCC/IC Class A or B.

Customizable specification clips available at middleatlantic.com

EIA/TIA COMPLIANT



options:

UPS-OLIPCARD

Web based control shall be enabled by the use of optional UPS-OLIPCARD, which shall be installed into the Expansion Port on the rear of the UPS.

Expansion Battery

Rackmount expansion battery pack shall be Middle Atlantic Products model# UPS-OLEBPR__ (refer to chart for model number and compatibility). Rackmount expansion battery pack shall be warrantied for a period of 2 years.

Replacement Battery

UPS hot swappable replacement battery pack shall be Middle Atlantic Products model# UPS-OLRBP-__ (refer to chart for model number and compatibility). Replacement battery shall be warrantied for a period of 2 years.

what **great systems** are built on.™

A brand of **legrand**

Middle Atlantic Products

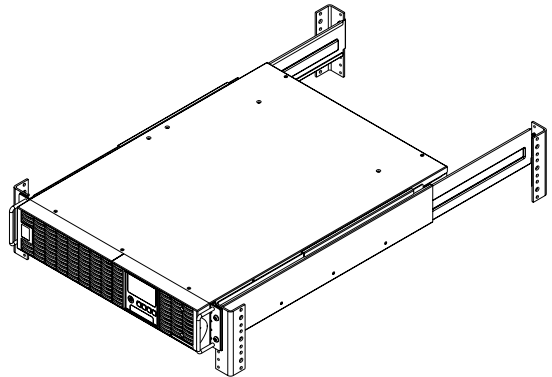
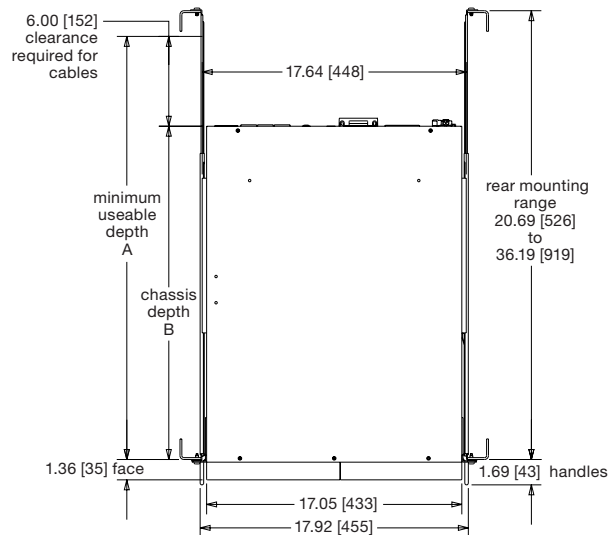
middleatlantic.com | middleatlantic.com

96-01236 / rev b / 10-27-16

Premium Online Series UPS

basic dimensions

all dimensions in inches unless otherwise noted [all dimensions in brackets are in millimeters]



Model Number	A Minimum Useable Depth	B Chassis Depth	Amperage Rating
UPS-OL1500R	20.69 [526]	15.57 [395]	15 AMP
UPS-OLEBPR-2	20.69 [526]	15.57 [395]	15 AMP
UPS-OL2200R	28.26 [718]	22.26 [565]	20 AMP
UPS-OL3000R	28.26 [718]	22.26 [565]	30 AMP
UPS-OLEBPR-1	28.26 [718]	22.26 [565]	20 AMP

what **great systems** are built on.™

A brand of **legrand**

Middle Atlantic Products

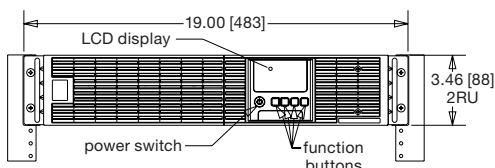
middleatlantic.com | middleatlantic.ca

Premium Online Series UPS

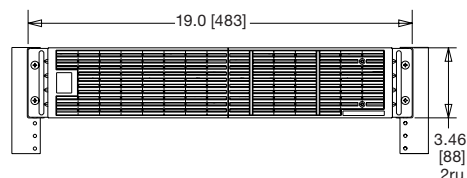
basic dimensions

all dimensions in inches unless otherwise noted [all dimensions in brackets are in millimeters]

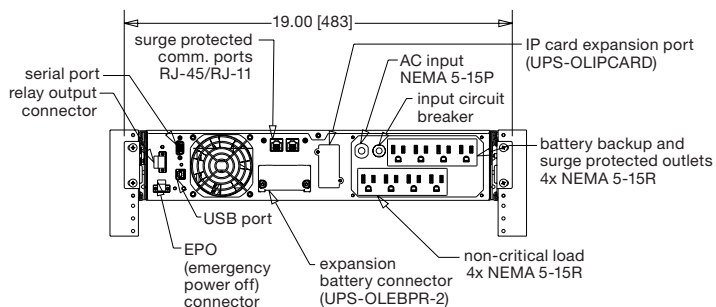
front view
UPS-OL1500R, UPS-OL2200R & UPS-OL-3000R



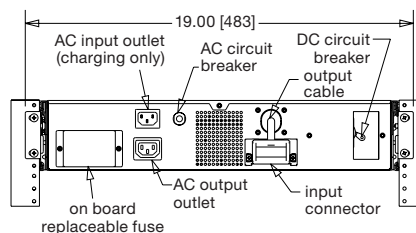
front view
UPS-OLEBPR-1 & UPS-OLEBPR-2



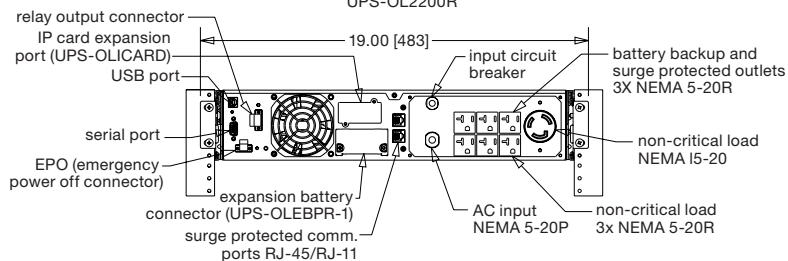
rear view
UPS-OL1500R



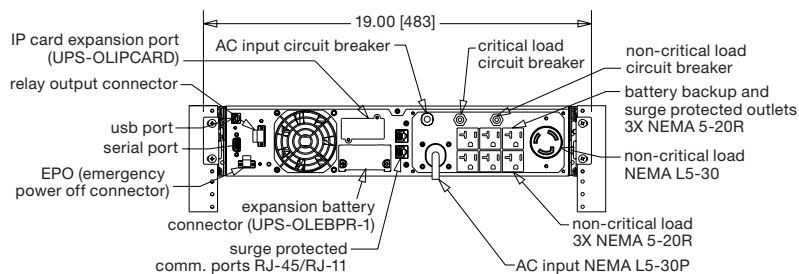
rear view
UPS-OLEBPR-1 & UPS-OLEBPR-2



rear view
UPS-OL2200R



rear view
UPS-OL3000R



what **great systems** are built on.™

A brand of **legrand**

Middle Atlantic Products

middleatlantic.com | middleatlantic.ca

UPS SPECS	UPS-OL1500R	UPS-OL2200R	UPS-OL3000R
CONFIGURATION			
Capacity (VA)	1500VA	2200VA	3000VA
Capacity (Watts)	1350W	1800W	2700W
INPUT			
Cord Length and Plug Type	10ft, NEMA 5-15P	10ft, NEMA 5-20P	10ft, NEMA L5-30P
Input Voltage Range	100~125Vac		
Input Frequency Range	50 / 60Hz		
Input Power Factor	0.99		
Cold Start	Yes		
OUTPUT			
Output Waveform	Sine wave		
Output Voltage (regulated)	100, 110, 115, 120, 125Vac (Configurable) ±2%		
Output Frequency	50 / 60Hz (Auto-Sensing or Configurable) ±0.25Hz		
Transfer Time	0ms		
Rated Power Factor	0.9	0.82	0.9
Harmonic Distortion	THD < 3% at Linear Load, < 5% at Non-linear Load		
Crest Factor	3:1		
ECO Mode Voltage Regulation	±10%, ±15% (Configurable)		
UPS Outlets	(8) NEMA 5-15R	(6) NEMA 5-20R, (1) L5-20R	(6) NEMA 5-20R, (1) L5-30R
Thermal Dissipation	529 BTU/hr	736 BTU/hr	1116 BTU/hr
Audible Noise (@1.5m)	< 50dBA		
PROTECTION			
Surge Protection	IEC 61000-4-5 Level 3		
Phone / Network Protection	RJ11/RJ45 (One In/One Out)		
Overload Protection	Line Mode: 105~125% Load for 1 min, 126~150% Load for 10 sec Battery Mode: 105~130% Load for 10 sec, 131~150% Load for 2 sec		
Short Circuit Protection	UPS Output Cut off Immediately or Input Fuse / Circuit Breaker Protection		
BATTERY			
Specifications	(3) 12V/9AH	(6) 12V/9AH	(6) 12V/9AH
Full Load Runtime (estimated)	4min	7min	4min
Half Load Runtime (estimated)	12min	20min	11min
Recharge Time (Typically)	5 hours for 0-100% Capacity; 4 hours for 0-90% Capacity		
Sealed, Maintenance Free	Yes		
Hot-Swappable	Yes		
STATUS INDICATORS			
LCD Screen	Multi-Function LCD Readout that Supports: (19) Types of Read Out, (22) Types of Function Setting, (5) Event Logs		
LED Indicators	Power On (White), Line Mode (Green), Battery Mode (Yellow), Bypass Mode (Yellow), Fault (Red), Replace Battery (Red)		
Audible Alarms	Battery Mode, Battery Low, Overload, UPS Fault		
ENVIRONMENT			
Operating Temperature	32° to 104° F (0° to 40° C)		
Operating Relative Humidity	0 to 90% Non-Condensing		
MANAGEMENT			
On-Device Features	Self-Test, Auto-Charge, Auto-Restart, Auto-Overload Recovery		
Connectivity Ports	(1) Serial Port (RS232), (1) USB Port, (1) Relay Out		
Expansion Slot	(1) Expansion Slot for optional remote management cards (With optional UPS-OLIPCARD)		
SOFTWARE			
Power Management Software	Middle Atlantic Power Manager Software		
PHYSICAL			
Net Weight	39.6lbs (18kg)	68.2lbs (31kg)	
SAFETY			
Conformance Approvals	UL and FCC		
RoHS	RoHS Compliant		

BATTERY SPECS	UPS-OLEBPR-2	UPS-OLEBPR-1
CONFIGURATION		
AC Input Voltage	100~125Vac	
DC Output Voltage	36Vdc	72Vdc
Amperage	60A	
PHYSICAL		
Net Weight	50.6lbs(23.0Kg)	96.8lbs(44.0Kg)
BATTERY		
Specifications	Qty 6 (2 x Banks of 3 Batteries)	Qty 12 (2 x Banks of 6 Batteries)
Recharge Time (Typically)	5 hours for 0-100% Capacity; 4 hours for 0-90% Capacity	
Interface	PP45	
Sealed, Maintenance Free	Yes	
Hot-Swappable	Yes	
Built-in Charger	Yes	
ENVIRONMENT		
Operating Temperature	32°F to 104°F (0°C to 40°C)	
Operating Relative Humidity	0 to 90% Non-Condensing	
SAFETY		
Conformance Approvals	UL	
RoHS	RoHS Compliant	

The following table shows Middle Atlantic Products, Inc. online UPS units and their corresponding online expansion battery packs. Contact technical support at 1-800-266-7225 for more information about Middle Atlantic Product's Battery Replacement Program.

MAP UPS or EBPR Part #	Description	Compatible Expansion Battery Packs	UPS-OLRBP-1	UPS-OLRBP-2	UPS-OLRBP-3	UPS-OLRBP-4
UPS-OL1500R	1500VA UPS	UPS-OLEBPR-2			X	
UPS-OL2200R	2200VA UPS	UPS-OLEBPR-1	X			
UPS-OL3000R	3000VA UPS	UPS-OLEBPR-1	X			
UPS-OLEBPR-1	2200/3000VA UPS Expansion Battery	NA		X (2 each)		
UPS-OLEBPR-2	1500VA UPS Expansion Battery	NA			X (Left)	X (Right)

		Estimated Run Times in Minutes UPS-OL1500R Series													
		Watts													
		50	100	200	300	400	500	600	700	800	900	1000	1100	1200	1300
# of External Batteries	0	137	88	42	28	22	16	14	10	9	7	6	5	4	4
	1	499	304	150	104	88	67	57	42	37	31	29	23	20	17
	2	882	560	275	170	150	121	103	79	69	57	51	42	37	34
	3	1268	810	416	264	218	166	146	117	102	85	77	64	56	50
	4	1663	1063	562	362	307	224	186	148	132	114	104	85	76	68
	5	2066	1320	702	460	390	294	243	179	160	139	128	108	96	86
	6	2474	1581	841	562	476	359	304	223	190	162	150	129	117	105
	7	2888	1845	981	659	564	426	361	271	230	187	171	147	134	123
	8	3305	2112	1123	755	650	495	419	318	272	222	198	165	150	138
	9	3727	2381	1266	851	733	565	478	363	314	257	230	184	167	153
10	4152	2653	1411	948	816	633	539	409	354	295	264	211	185	168	

		Estimated Run Times in Minutes UPS-OL2200R Series																		
		Watts																		
		50	100	200	300	400	500	600	700	800	900	1000	1100	1200	1300	1400	1500	1600	1700	1800
# of External Batteries	0	277	167	98	63	48	40	31	28	22	20	16	15	14	13	11	10	9	8	7
	1	986	644	341	206	165	145	114	103	85	77	67	62	58	55	45	40	36	33	29
	2	1712	1118	624	399	317	262	187	171	146	135	121	112	106	100	84	75	67	60	53
	3	2463	1607	898	595	474	398	295	262	209	187	166	155	148	142	124	111	99	88	79
	4	3230	2108	1178	782	636	538	398	359	294	262	224	203	191	179	156	142	130	118	106
	5	4011	2618	1463	971	790	675	506	456	374	338	294	266	250	234	192	171	156	143	131
	6	4804	3135	1752	1163	946	808	616	557	457	413	359	329	312	293	241	210	184	167	153
	7	5607	3659	2045	1357	1104	943	719	654	541	490	426	390	370	349	292	255	223	196	175
	8	6418	4188	2341	1553	1264	1080	822	749	626	568	495	453	430	405	340	301	264	232	204
	9	7236	4723	2639	1752	1425	1217	927	844	706	644	565	517	490	462	388	344	306	269	238
10	8062	5262	2941	1951	1587	1356	1033	941	786	717	633	583	553	521	437	387	344	307	272	

		Estimated Run Times in Minutes UPS-OL3000R Series																											
		Watts																											
		50	100	200	300	400	500	600	700	800	900	1000	1100	1200	1300	1400	1500	1600	1700	1800	1900	2000	2100	2200	2300	2400	2500	2600	2700
# of External Batteries	0	176	134	98	63	48	36	29	24	20	20	16	14	13	11	11	10	9	9	8	7	7	6	6	5	4	4	4	4
	1	686	488	341	206	165	132	107	94	82	77	67	57	54	46	45	39	36	35	33	31	29	27	25	23	21	19	17	16
	2	1191	864	624	399	317	228	174	158	141	135	121	105	100	86	84	74	68	66	61	56	53	49	45	42	39	36	34	33
	3	1712	1242	898	595	474	353	273	235	199	187	166	147	141	126	124	109	100	97	91	84	79	75	69	64	59	54	51	48
	4	2246	1630	1178	782	636	477	373	328	281	262	224	188	178	159	156	141	131	128	121	113	106	100	93	86	79	74	69	66
	5	2790	2024	1463	971	790	605	474	417	360	338	294	247	233	197	192	169	158	154	146	137	131	125	117	108	100	93	87	84
	6	3341	2424	1752	1163	946	725	578	509	440	413	359	308	292	247	241	207	187	180	171	161	153	146	137	129	121	113	106	102
	7	3899	2829	2045	1357	1104	846	677	603	522	490	426	365	347	299	292	251	226	218	202	185	175	167	157	147	138	130	124	120
	8	4463	3238	2341	1553	1264	968	775	690	605	568	495	424	403	348	340	297	268	258	239	219	204	191	176	165	156	146	140	135
	9	5032	3651	2639	1752	1425	1092	874	779	682	644	565	484	460	397	388	339	310	300	278	255	238	222	203	185	172	162	155	149
10	5607	4068	2941	1951	1587	1217	974	867	760	717	633	546	519	447	437	382	349	338	316	291	272	255	232	212	194	178	170	164	