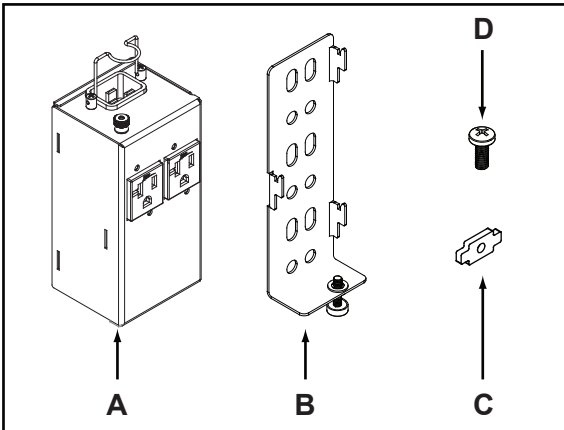


MOUNTING INSTRUCTIONS

RACKLINK™

IN-LINE MODELS

PARTS LIST CALLOUTS

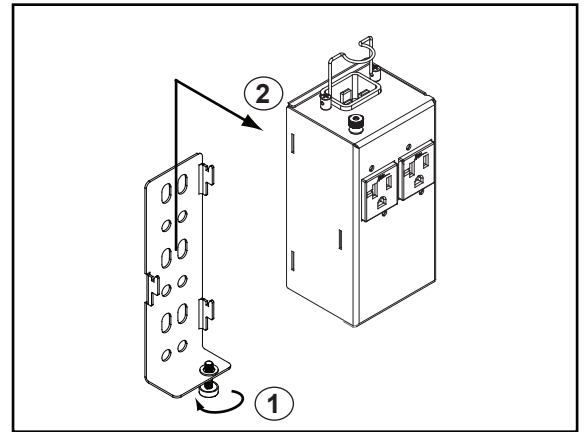


PARTS LIST

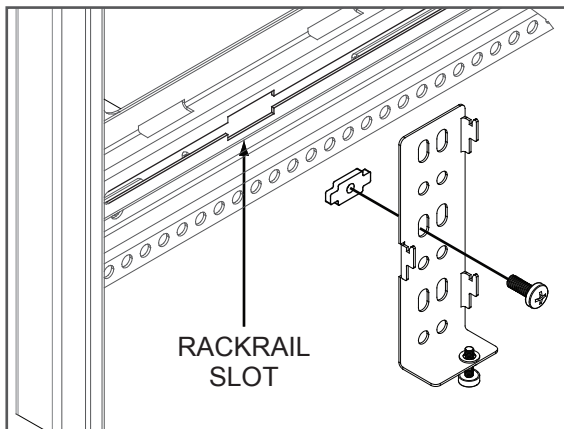
	<u>QTY</u>
A - RackLink Unit	1
B - Mounting Bracket with Factory Installed Thumb-Screw and Integrated Retainer Washer	1
C - Oval Nut	2
D - #3 Phillips Head Screw	2

INSTALLATION

- 1) Loosen the thumb-screw until it becomes disengaged from the RackLink unit (1). DO NOT fully remove the thumb-screw. The retainer washer will hold the thumb-screw in place. Remove the RackLink unit from the mounting bracket (2). **(FIGURE A)**



(FIGURE A)

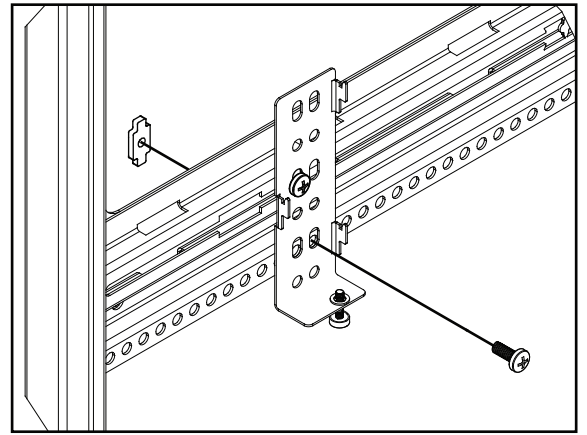


(FIGURE B)

- 2) Install a screw into an oval nut as shown. Once tightened, insert the oval nut into the slot in the rackrail bracket. Slide into the desired location. **(FIGURE B)**

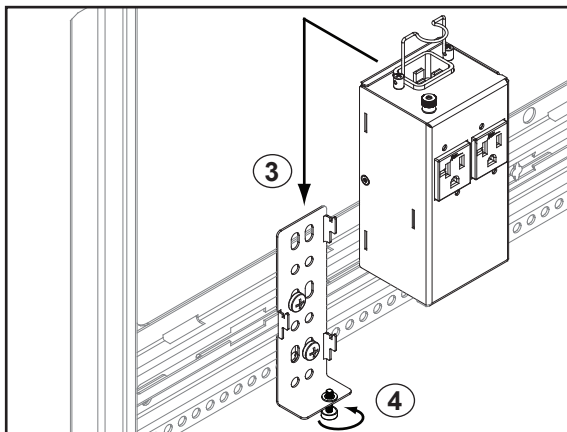
INSTALLATION CONTINUED

- 3) Install a screw and oval nut into the corresponding fixed hole on the rackrail bracket. **(FIGURE C)**

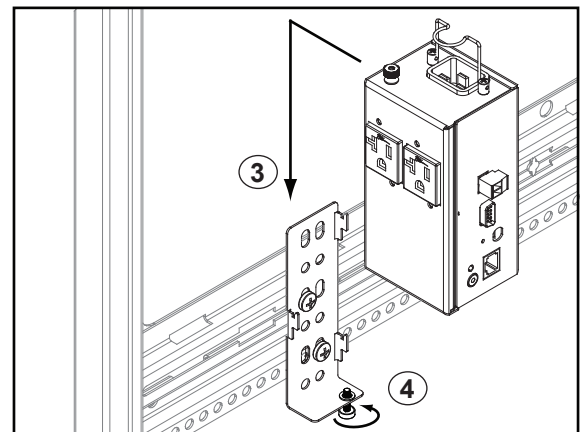


(FIGURE C)

- 4) Insert the flanges on the mounting bracket into the slots on the unit (3). Tighten the thumb-screw to secure the unit (4). The in-line RackLink unit can be installed with the receptacles facing out **(FIGURE D)** or to the side **(FIGURE E)**.



(FIGURE D)



(FIGURE E)