

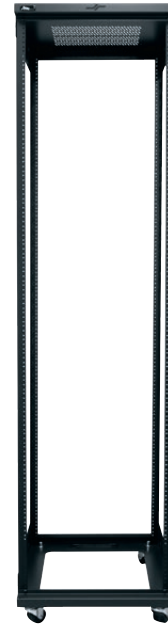
# QAR Series

quick assembly rack

affordable, easy to build 'snap together' rack

features:

- Patent-pending snap together design can save 30 minutes or more in assembly time
- Best value for entry-level AV systems
- Generous facilities for bottom cable entry
- Bracket included for easy mounting of power and vertical lacing strips to the rear rail
- Includes lockable casters; leveling feet optional for fixed installation
- Ideal for installation in closets, basements and equipment rooms
- 800 lb weight capacity
- UL Listed in the US and Canada



specifications:

EIA compliant 19" gangable snap-together equipment rack shall be Middle Atlantic Products model # QAR-\_\_\_-\_\_\_ (refer to chart). Overall dimensions of rack shall be 20.36" W x \_\_\_" D x \_\_\_" H, with a useable height of \_\_\_ rack spaces (refer to chart). QAR Series shall have a UL Listed 800 lb. weight capacity. QAR Series rack shall be of ready-to- assemble construction. Top and bottom shall be phosphate pre-treated and finished in metallic grey powdercoat. QAR Series uprights shall be rackrail with tapped 10-32 mounting holes in universal EIA spacing with black e-coat finish and have numbered rack spaces. QAR Series shall include lockable casters. QAR Series shall include a bracket for mounting vertical power and vertical lace strips. QAR Series shall be UL Listed in the US and Canada to the UL-2416 (NWIN) Category when used with optional bonding kit, model # PET-K-\_\_\_\_. QAR Series shall be GREENGUARD Gold Certified. QAR Series shall meet the RoHS EU Directive 2011/65/EU. QAR Series shall be manufactured by an ISO 9001 and ISO 14001 registered company. Rack shall be warrantied to be free from defects in material or workmanship under normal use and conditions for the lifetime of the rack.

Customizable specification clips available at [middleatlantic.com](http://middleatlantic.com)



PRODUCT CERTIFIED FOR  
LOW CHEMICAL EMISSIONS  
UL.COM/GG  
UL 2818



options:

- Optional locking/latching front/rear door, plexi shall be DOOR-Pxx (refer to chart), Solid shall be DOOR-Sxx (refer to chart)  
\*NOTE: side panels are required for door to lock/latch
- Optional side panels with keylock shall be SIDE-xx-xx (refer to chart)
- Optional vertical power shall be PWR-x-V (refer to chart)
- Top-mount DC fan panels shall be FANTOP-138DC (110V), IFANTOP-138DC (220V) accepts up to two
- Fan Controller shall be FC-DC
- Optional bonding kit for UL-2416 (NWIN) compliance shall be model # PET-K-FANTOP (for fan top to rack), PET-K-DOOR (for door to rack), PET-K-SIDE (for side panels to rack).

what **great systems** are built on.™

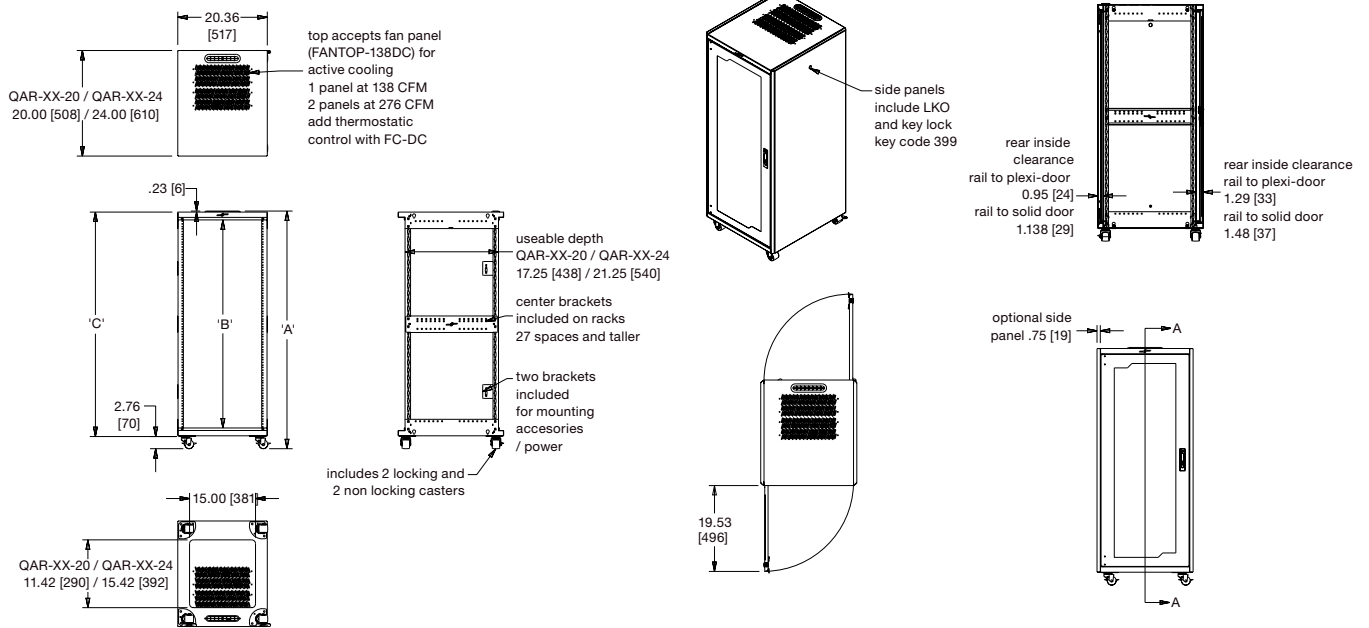
A brand of **legrand**

**Middle Atlantic Products**  
middleatlantic.com | middleatlantic.ca

# QAR Series

## basic dimensions

all dimensions in inches unless otherwise noted [all dimensions in brackets are in millimeters]



Note: side panels are required for door to lock/latch.

Part #	'A' Overall Height w/ Casters	'B' Rack Spaces	'C' Overall Rack Height	Optional Front / Rear Plexi Door	Optional Front / Rear Solid Door	Optional Side Panels	Optional Power
QAR-12-20	27.79 [706]	12 spaces 21.06 [535]	24.79 [630]	DOOR-P12	DOOR-S12	SIDE-12-20	PWR-8-V
QAR-18-20	38.29 [973]	18 spaces 31.56 [802]	35.29 [896]	DOOR-P18	DOOR-S18	SIDE-18-20	PWR-8-V
QAR-21-20	43.54 [1106]	21 spaces 36.81 [935]	40.54 [1030]	DOOR-P21	DOOR-S21	SIDE-21-20	PWR-8-V / PWR-16-V
QAR-27-20	54.04 [1373]	27 spaces 47.31 [1202]	51.04 [1296]	DOOR-P27	DOOR-S27	SIDE-27-20	PWR-8-V / PWR-16-V
QAR-35-20	68.04 [1728]	35 spaces 61.31 [1557]	65.04 [1652]	DOOR-P35	DOOR-S35	SIDE-35-20	PWR-8-V / PWR-16-V / PWR-24-V
QAR-42-20	80.29 [2039]	42 spaces 73.56 [1868]	77.29 [1963]	DOOR-P42	DOOR-S42	SIDE-42-20	PWR-8-V / PWR-16-V / PWR-24-V
QAR-12-24	27.79 [706]	12 spaces 21.06 [535]	24.79 [630]	DOOR-P12	DOOR-S12	SIDE-12-24	PWR-8-V
QAR-18-24	38.29 [973]	18 spaces 31.56 [802]	35.29 [896]	DOOR-P18	DOOR-S18	SIDE-18-24	PWR-8-V
QAR-21-24	43.54 [1106]	21 spaces 36.81 [935]	40.54 [1030]	DOOR-P21	DOOR-S21	SIDE-21-24	PWR-8-V / PWR-16-V
QAR-27-24	54.04 [1373]	27 spaces 47.31 [1202]	51.04 [1296]	DOOR-P27	DOOR-S27	SIDE-27-24	PWR-8-V / PWR-16-V
QAR-35-24	68.04 [1728]	35 spaces 61.31 [1557]	65.04 [1652]	DOOR-P35	DOOR-S35	SIDE-35-24	PWR-8-V / PWR-16-V / PWR-24-V
QAR-42-24	80.29 [2039]	42 spaces 73.56 [1868]	77.29 [1963]	DOOR-P42	DOOR-S42	SIDE-42-24	PWR-8-V / PWR-16-V / PWR-24-V