

RSH Series

Sonos Amp

The only way to properly support and display
Sonos Amps in rackmount applications

features:

- Shelf face is specifically designed for the Sonos Amp
- Precision cut opening provides a clean, professional look, keeps components secure and enables optimal thermal management for system reliability
- Unique 'face-after' design allows for easy installation and switching out of components
- Includes lacing bars for cable management
- Includes clamping bars to keep Sonos Amps secure
- Patented Tool-free shelf assembles quickly
 - Tool-free pop and twist rear stop brackets enable quick and fine adjustment of component positioning
- Fully ventilated ears and bottom promote cooling airflow
- Black brushed and anodized finish



specifications:

EIA compliant 19" RSH Series Sonos Amp rackshelf shall be Middle Atlantic Products model # RSHA-SONOS-AMP_ (number of Sonos Amps, refer to chart) to accommodate _(2, 4 6, refer to chart) Sonos Amps, with a black, brushed and anodized finish. RSH Series Sonos Amp rackshelf shall be_(2, 4, 5, refer to chart) rackspace, include (1, 2 refer to chart) lacer bars and include clamping bars. RSH Series Sonos Amp rackshelf shall be constructed of the following materials: vented bottoms and side panels (ears) shall be steel with a durable flat black powder coat finish, faceplate shall be aluminum. Custom rackshelf shall be RoHS EU Directive 2011/65/EU compliant. RSH Series Sonos Amp rackshelf shall be manufactured by an ISO 9001 and ISO 14001 registered company. RSH Series Sonos Amp rackshelf shall be warrantied to be free from defects in material or workmanship under normal use and conditions for the lifetime of the product.

Customizable specification clips available at middleatlantic.com

EIA/TIA COMPLIANT



PATENT # 9,648,771 B1

what **great systems** are built on.™

A brand of  **legrand**


Middle Atlantic Products

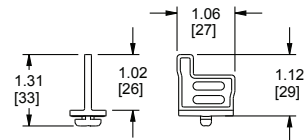
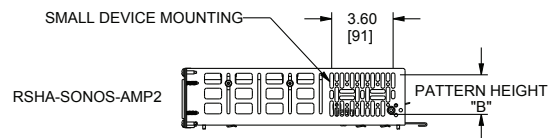
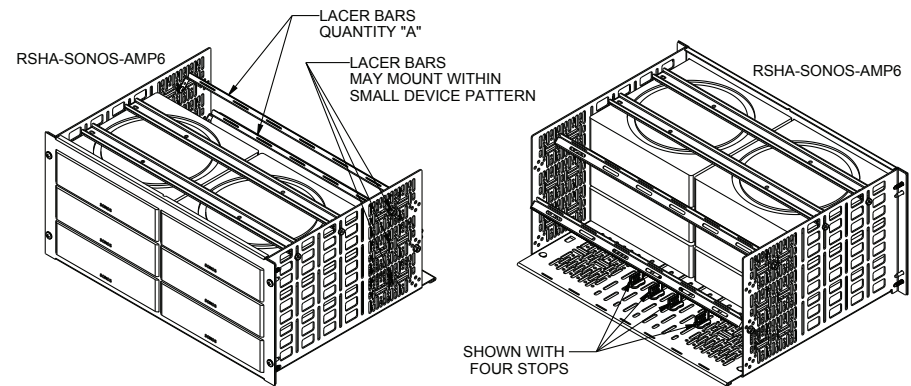
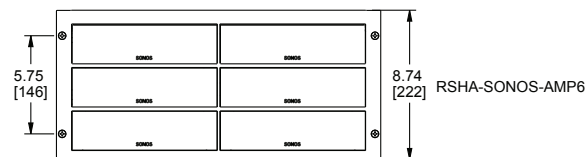
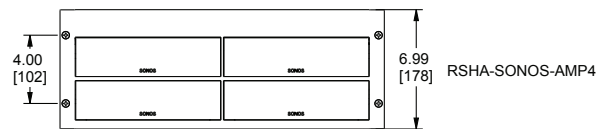
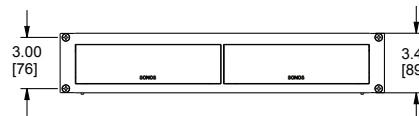
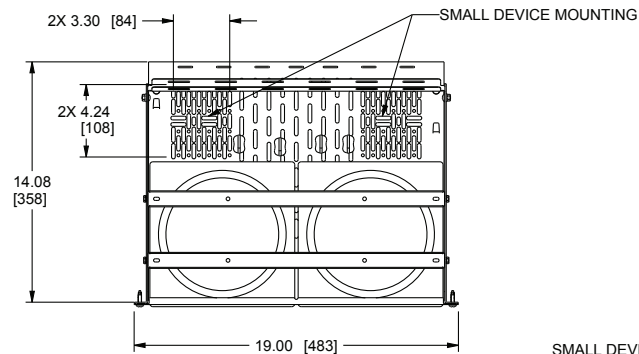
middleatlantic.com | middleatlantic.ca

96-01257 / rev a / 12-17-18

RSH Series

Sonos Amp Basic Dimensions

NOTE(S):
 1) ALL DIMENSIONS IN FORMAT:
 INCHES [MILLIMETERS]
 2) BLACK BRUSHED AND ANODIZED FINISH
 3) SHOWN WITH SONOS MODEL # AMP INSTALLED



MODEL NUMBER	RACK SPACES	HEIGHT	# OF SONOS AMPS	# OF LACER BARS "A"	PATTERN HEIGHT "B"
RSHA-SONOS-AMP2	2 RU	3.49 [89]	2	1	2.32 [59]
RSHA-SONOS-AMP4	4 RU	6.99 [178]	4	2	5.61 [142]
RSHA-SONOS-AMP6	5 RU	8.74 [222]	6	2	7.63 [194]

what great systems are built on.™

A brand of  Legrand


Middle Atlantic Products

middleatlantic.com | middleatlantic.ca