



**Middle Atlantic Products**

EXCEPTIONAL SUPPORT & PROTECTION™

# Slim 2 Series 19" Sloped Desktop Racks



EIA/TIA Compliant

## Sloping rack face allows for easy equipment viewing

### Features

- For desktop front end control or system monitoring
- 2-10 frame constructed of 16-gauge steel
- 5/8" furniture grade MDF board construction (2-6M, 2-10M, 2-10 sides)
- High quality black wood grain finish (2-6M, 2-10M, 2-10 sides)
- 16-gauge steel bottom trim panel, durable black powder coat finish (2-6m, 2-10m)
- Front and rear 11-gauge threaded rackrail, pre-installed
- Available in 2 sizes
- 18" deep on bottom
- Rubber feet included



2-10M



**NEW!**

Black wood grain finish

### Architects' and Engineers' Specifications

#### 2-6M, 2-10M

EIA compliant Slim Desktop Turret Rack shall be Middle Atlantic Products model #2-\_\_\_(6,10)M. Desktop Turret Rack shall offer (6,10) rackspace. Rack shall be constructed of 5/8" furniture grade MDF board with a black wood grain laminate finish. Rubber feet shall be included with rack. Pre-installed front and rear rackrail shall be 10-32 threaded and constructed of 11-gauge steel. Bottom trim panel shall be 16-gauge steel with a durable black powder coat finish. Rack shall be GREENGUARD Indoor Air Quality Certified for Children and Schools. Rack shall be manufactured by an ISO 9001 and ISO 14001 registered company. Rack shall be warrantied to be free from defects in material or workmanship under normal use and conditions for a period of 7 years.

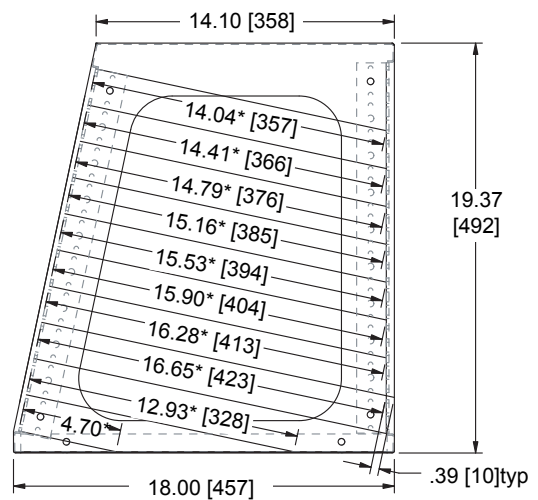
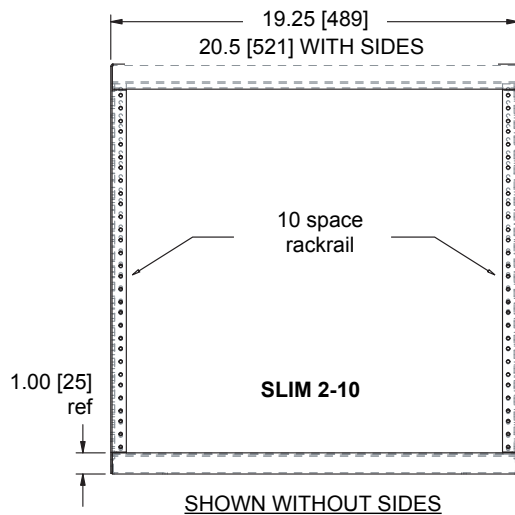
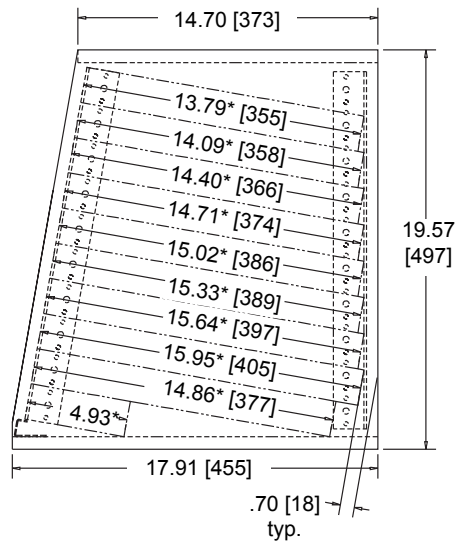
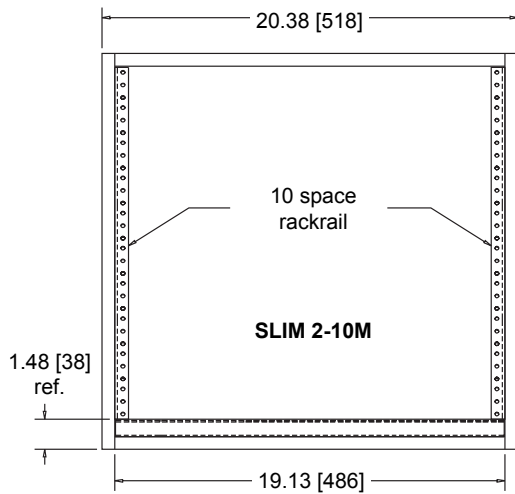
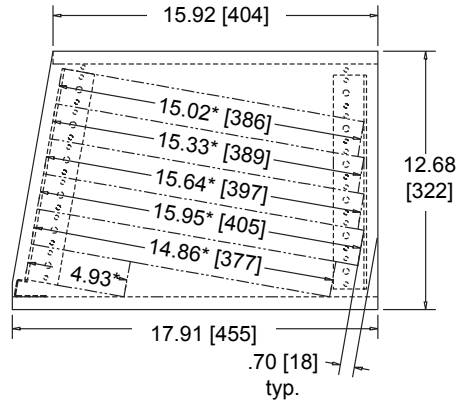
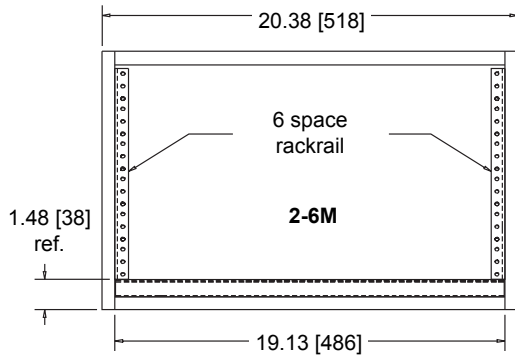
#### 2-10

EIA compliant Slim Desktop Turret Rack shall be Middle Atlantic Products model #2-10. Desktop Turret Rack shall offer 10 rackspace. Rack shall be constructed of an open steel frame. Removable sides shall be constructed of 5/8" furniture grade MDF board with a black wood grain laminate finish. Rubber feet shall be included with rack. Pre-installed front and rear rackrail shall be 10-32 threaded and constructed of 11-gauge steel. Bottom trim panel shall be 16-gauge steel with a durable black powder coat finish. Rack shall be GREENGUARD Indoor Air Quality Certified for Children and Schools. Rack shall be manufactured by an ISO 9001 and ISO 14001 registered company. Rack shall be warrantied to be free from defects in material or workmanship under normal use and conditions for the lifetime of the rack.

**CUSTOMIZABLE SPECIFICATION CLIPS AVAILABLE AT MIDDLEATLANTIC.COM**

# SLIM 2 Series basic dimensions

All dimensions in inches unless otherwise noted [All bracketed dimensions are in millimeters]



\*MAXIMUM DEPTH OF EQUIPMENT SPACE FROM OUTSIDE FRONT RAILS TO INSIDE REAR RAILS. (±.060)  
.70" EXTRA SPACE IS AVAILABLE TO THE BACK OF THE CABINET FOR ALL BUT THE BOTTOM TWO SPACES.



PART #	RACKING HEIGHT	TOP DEPTH	BOTTOM DEPTH	OVERALL HEIGHT	SLOPE
2-10	17.50 [445] (10 space)	14.10 [358]	18.00 [457]	19.37 [492]	120
2-6M	10.50 [267] (6 space)	15.92 [404]	17.91 [455]	12.68 [322]	100
2-10M	17.50 [445] (10 space)	14.70 [373]	17.91 [455]	19.57 [497]	100